

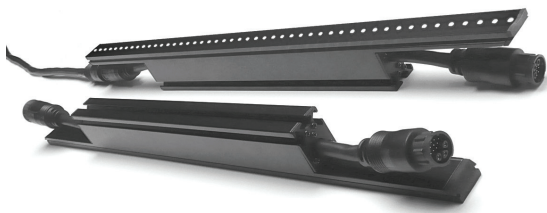


# BLADE™ SERIES (Indoor/Outdoor) Creative LED

The BLADE Series – **BLADE 1260** and **BLADE HD** Creative LED Strips are now available for ultimate creative use. The BLADE Series provides another option for visual eye-catching excitement to any venue with a wide variety of applications. **BLADE 1260** or **BLADE HD** can be used to deliver countless creative looks in long lines or faceted curves. You can place BLADE in virtually any layout (horizontal, vertical, diagonal etc.) because of its pixel-level mapping accuracy.

The BLADE Series provides high brightness of 6,000 nits and tight pixel pitch in a slim, lightweight yet rugged package – perfect for use on numerous indoor and outdoor applications.

## BLADE™ 1260



The **BLADE™ 1260** combines the latest LED technology with a built-in AC power supply. BLADE can be daisy-chained up to 64 units in a single power/data feed – that is over 38 meters (or 125 feet) in a single feed.

## BLADE™ HD



The **BLADE™ HD** provides even greater resolution. Combining the latest LED technology with a built-in AC power supply, BLADE HD can be daisy-chained up to 14 units with a single power/data feed.

### Key Benefits:

- High pixel density (2,560) and 12.5 mm pitch, creative high resolution lines displays are possible
- Bright – with 6,000 nits, it can be used for both indoor/outdoor applications
- Creative/Flexible to use, unlimited mapping capability allows for creative design
- Easy set-up/fast to rig and connect. **BLADE 1260** can be daisy-chained up to 64 units on a single feed and single connector. **BLADE HD** can be daisy-chained up to 14 units on a single feed and single connector so the BLADE Series can go together fast
- Rugged, weather proof – IP65 rating allows BLADE to be used in outdoors, rain or shine.

***For your next production or event please contact your VER representative***

Located in US, Canada and Europe

Phone in US and Canada: 800-794-1407

Technical Support: 888-584-8324

Phone in Europe: +44 (0) 20 8445 0267

Website: [www.verrents.com](http://www.verrents.com)

Email: [rentals@verrents.com](mailto:rentals@verrents.com)

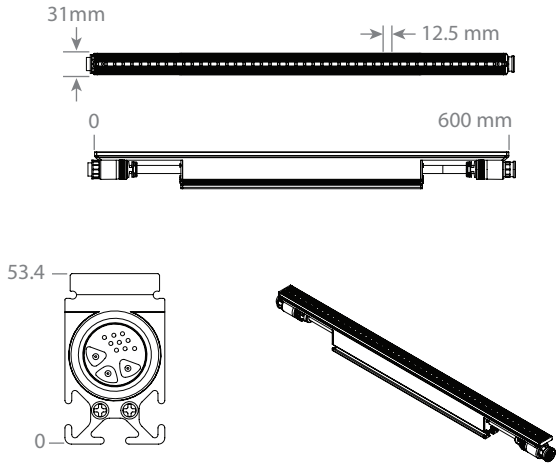




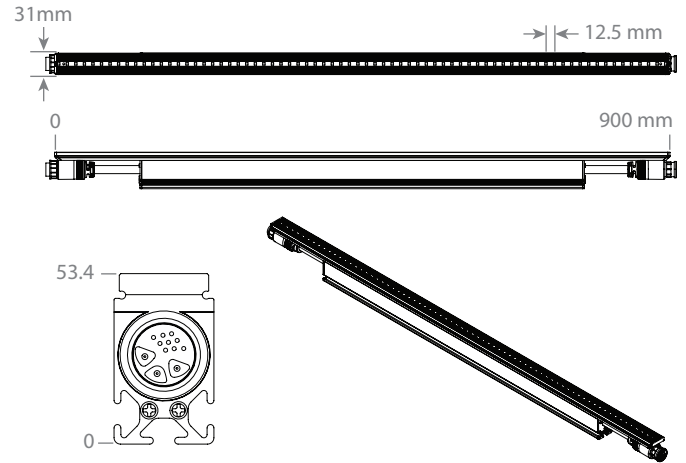
# BLADE™ SERIES (Indoor/Outdoor) Creative LED

## SPECIFICATIONS

### BLADE™ 1260



### BLADE™ HD



BLADE™ Indoor/Outdoor	1260	HD
Pitch (mm)	12.50 (grouped 3 LEDs per pixel)	12.50 (1 LED per pixel)
LED Type	3 in 1 SMD	
Number of Pixels	16 / Fixture	72 / Fixture
Pixel Density (Pixel/m <sup>2</sup> )	2,560	
Tile Dimensions (LxHxD)	600mm x 31.25mm x 54mm (23.6" x 1.2" x 2.1")	900mm x 31.25mm x 54mm (35.4" x 1.2" x 2.1")
Brightness	6,000 nits	
AC Power In	100-240V	
Power Consumption (w/units)	17 Watt Max	34 Watt Max
Weight/Fixture	1Kg (2.2lbs) / Fixture	1.5Kg (3.3lbs) / Fixture
Colors	281 Trillion	
Refresh Rate	3,000Hz	
Viewing Angle Vertical	>140°	
Viewing Angle Horizontal	>140°	
Transparency	Variable	
Life Time (Hr)	50,000	
IP Rating	IP65	



**For your next production or event please contact your VER representative**

Located in US, Canada and Europe

Phone in US and Canada: 800-794-1407

Technical Support: 888-584-8324

Phone in Europe: +44 (0) 20 8445 0267

Website: [www.verrents.com](http://www.verrents.com)

Email: [rentals@verrents.com](mailto:rentals@verrents.com)

